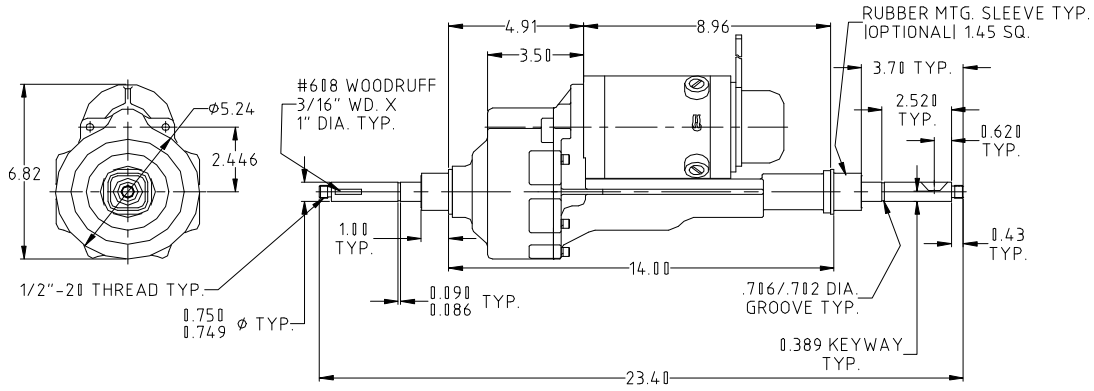


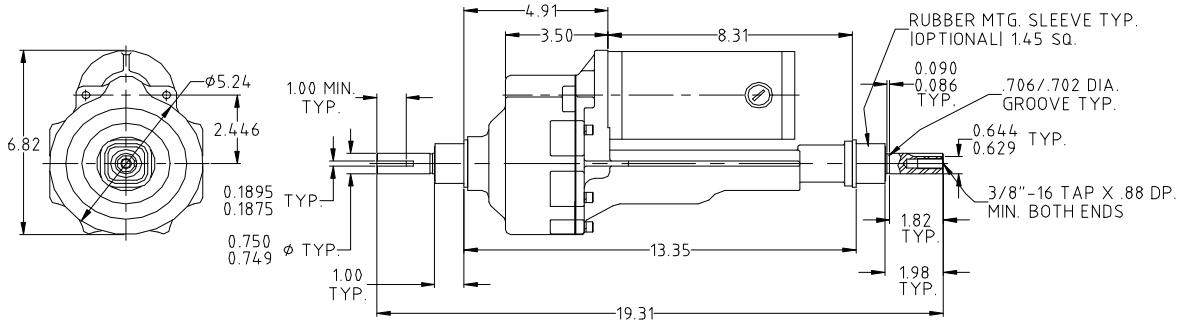
Model 244 Transaxle

244-14



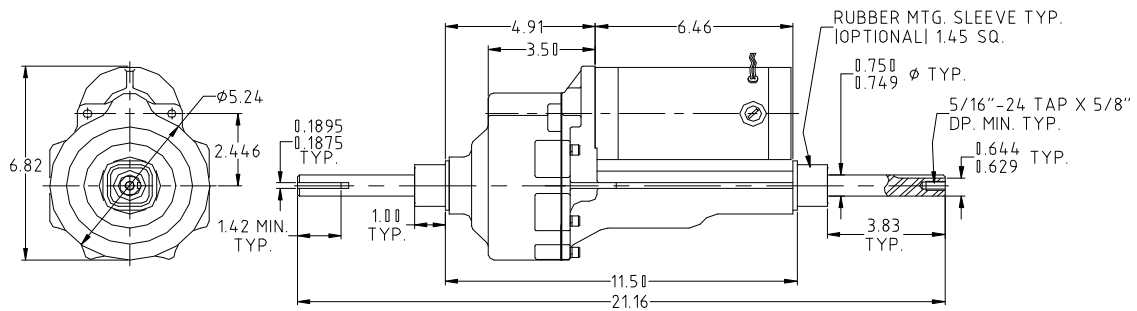
Part No.	Ratio	Output R.P.M.	Motor R.P.M.	Voltage	Hp	Duty	Torque	Motor Dia	Weight	Man. Rel. Brake
244-14-B4162-17.6	17.6	243	4275	24 VDC	1/2	Int.	130 in-lbs.	4"	22.1 lbs.	45 in-lbs.
244-14-B4162-19.4	19.4	220	4275	24 VDC	1/2	Int.	143 in-lbs.	4"	22.1 lbs.	45 in-lbs.
244-14-B4162-21.6	21.6	198	4275	24 VDC	1/2	Int.	159 in-lbs.	4"	22.1 lbs.	45 in-lbs.
244-14-B4162-24.8	24.8	172	4275	24 VDC	1/2	Int.	183 in-lbs.	4"	22.1 lbs.	45 in-lbs.
244-14-B4181-17.6	17.6	222	3900	24 VDC	1/3	Int.	94 in-lbs.	3-1/4"	22.4 lbs.	35 in-lbs.
244-14-B4181-19.4	19.4	201	3900	24 VDC	1/3	Int.	103 in-lbs.	3-1/4"	22.4 lbs.	35 in-lbs.
244-14-B4181-21.6	21.6	181	3900	24 VDC	1/3	Int.	115 in-lbs.	3-1/4"	22.4 lbs.	35 in-lbs.
244-14-B4181-24.8	24.8	157	3900	24 VDC	1/3	Int.	132 in-lbs.	3-1/4"	22.4 lbs.	35 in-lbs.

244-13



Part No.	Ratio	Output R.P.M.	Motor R.P.M.	Voltage	Hp	Duty	Torque	Motor Dia	Weight
244-13-B4160-21.6	21.6	113	2435	24 VDC	1/4	Int.	161 in-lbs.	3-1/4"	20.6 lbs.
244-13-B4163-16	16	100	1600	36 VDC	1/2	Int.	315 in-lbs.	4"	22.7 lbs.

244-12



Part No.	Ratio	Output R.P.M.	Motor R.P.M.	Voltage	Hp	Duty	Torque	Motor Dia	Weight
244-12-B4160-24.8	24.8	98	2435	24 VDC	1/4	Int.	161 in-lbs.	3-1/4"	20.4 lbs.
244-12-B4161-24.8	24.8	98	2435	36 VDC	1/4	Int.	161 in-lbs.	3-1/4"	20.4 lbs.

- Custom output shafts and ratios are available upon request.
- Dimensions are for reference only, request certified prints for construction purposes.

